



Energy Options at a Glance

Products You Want



Solutions You Need



Quality You Deserve



The *Team* at Energy Options *thanks* you for the privilege of presenting our *Value Proposition* and *Offering*



Energy Options Value and Quality Delivered!



Mission Statement

Products You Want



Solutions You Need



Quality You Deserve



At Energy Options, it is our Mission to become the preferred Building Automation Solution and Service provider by partnering with our customers to protect facility assets, improve the workplace environment and ensure maximum value. To achieve this, our commitment to quality workmanship and outstanding customer service is driven by talented and dedicated professionals with a team philosophy.



Energy Options Value and Quality Delivered!



Executive Summary

Products You Want



Solutions You Need



Quality You Deserve



Energy Options, Inc., a partner of Schneider Electric, has been servicing customers since 1979. For over 30 years we have been installing integrated automation systems in new and existing office buildings, critical data centers, pharmaceutical research labs, communication switching stations, and large hospitals with much success. With our extensive resources we are able to execute multiple projects of various sizes while providing customer satisfaction at a level that consistently outperforms our competitors. Currently we have over 150 active service contracts ranging from remote monitoring to full coverage.

Based on our company experience, size, service base, focus on system integrations and products, we are confident that Energy Options will exceed your expectations for any projects you may be considering.



Energy Options Value and Quality Delivered!



Company Profile

Products You Want



Solutions You Need



Quality You Deserve



- Established in 1979
- Outstanding reputation
- Located in Edison, NJ
- 40+ Professionals
- 100% Automation focus
- Extensive Data Center & Pharmaceutical experience
- Union subcontract installations
- Factory beta testing
- Custom products



Energy Options Value and Quality Delivered!



Customer Service is Priority #1

Products You Want



Solutions You Need



Quality You Deserve



- 24x7 Full Service Operations for over 30 years
- 24 hour Remote Software Support
- Guaranteed 4 hour onsite response
- Staffed 24 hour Central Alarm Notification
- Custom service agreements
- 12 Years average technician experience
- Extensive hardware stock
- Local customer training



Energy Options Value and Quality Delivered!



Pharmaceutical Experience

Products You Want



Solutions You Need



Quality You Deserve



- GMP/GLP Certified
- FDA Validation
- Animal Labs
- Clean Rooms
- Encapsulation Facilities
- Fume hood controls



Energy Options Value and Quality Delivered!



Data Center Experience

Products You Want



Solutions You Need



Quality You Deserve



- 2N Control System Engineering
- Data Center Management Systems
- Electrical Infrastructure Monitoring
- Branch Circuit Monitoring
- Wireless Technologies
- SNMP Alarming
- Global Networks
- 3rd Party Integration
- System Validation

Energy Options Value and Quality Delivered!



Hospital Experience

Products You Want



Solutions You Need



Quality You Deserve



- Wide Area Network
- Isolation Rooms
- Operating Rooms
- System Integration
- Wireless Technologies
- Card Access/Security/CCTV



Energy Options Value and Quality Delivered!



Real-estate Experience

Products You Want



Solutions You Need



Quality You Deserve



- BMS/Security/CCTV
- Wide Area Networks
- Wireless Technologies
- Web Based Systems hosted at Energy Options
- 24hr remote alarm notification



Energy Options Value and Quality Delivered!



Solutions Delivered Integrated or Stand Alone

Products You Want



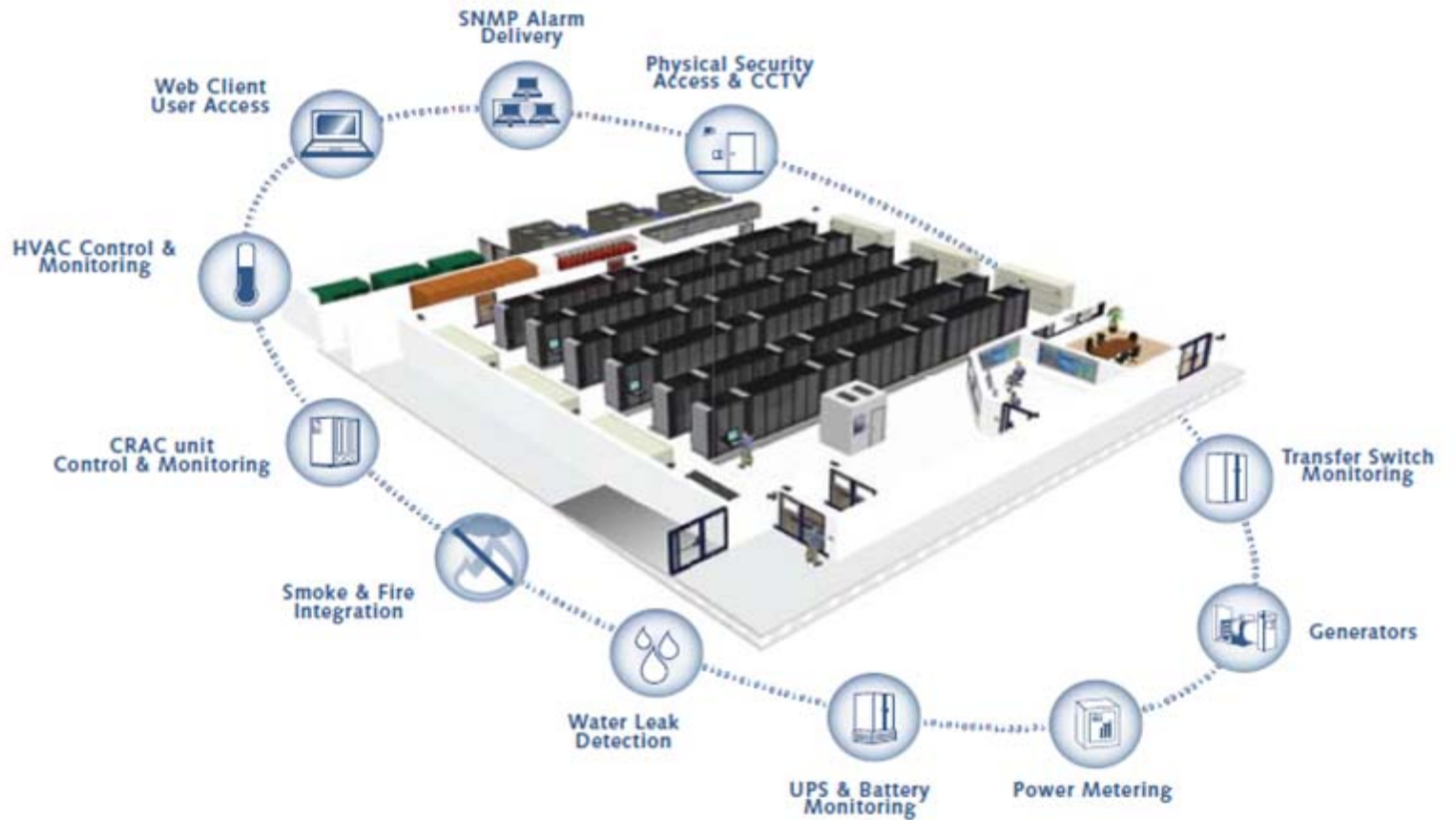
Solutions You Need



Quality You Deserve



Integration



Energy Options Value and Quality Delivered!



Standard Graphics Design

Products You Want



Solutions You Need



Quality You Deserve



The image displays several overlapping screenshots of the Andover Controls software interface. The screens show various control panels for different parts of a building's HVAC and plant systems. Key elements visible include:

- AHU 3 Floor 3:** Multiple screens showing detailed control panels for Air Handling Units, including system modes, setpoints, and status indicators.
- Air Handler Summary Pack:** A screen displaying a summary table of air handler units.
- Cooling Tower Plant:** A screen showing a schematic diagram of the cooling tower plant with various pumps and valves.
- Hot Water Plant:** A screen showing a schematic diagram of the hot water plant with pumps and tanks.
- 91E, 91 Server (Conference Room):** A screen showing server status and network information.



Energy Options Value and Quality Delivered!



Standard Graphics Design

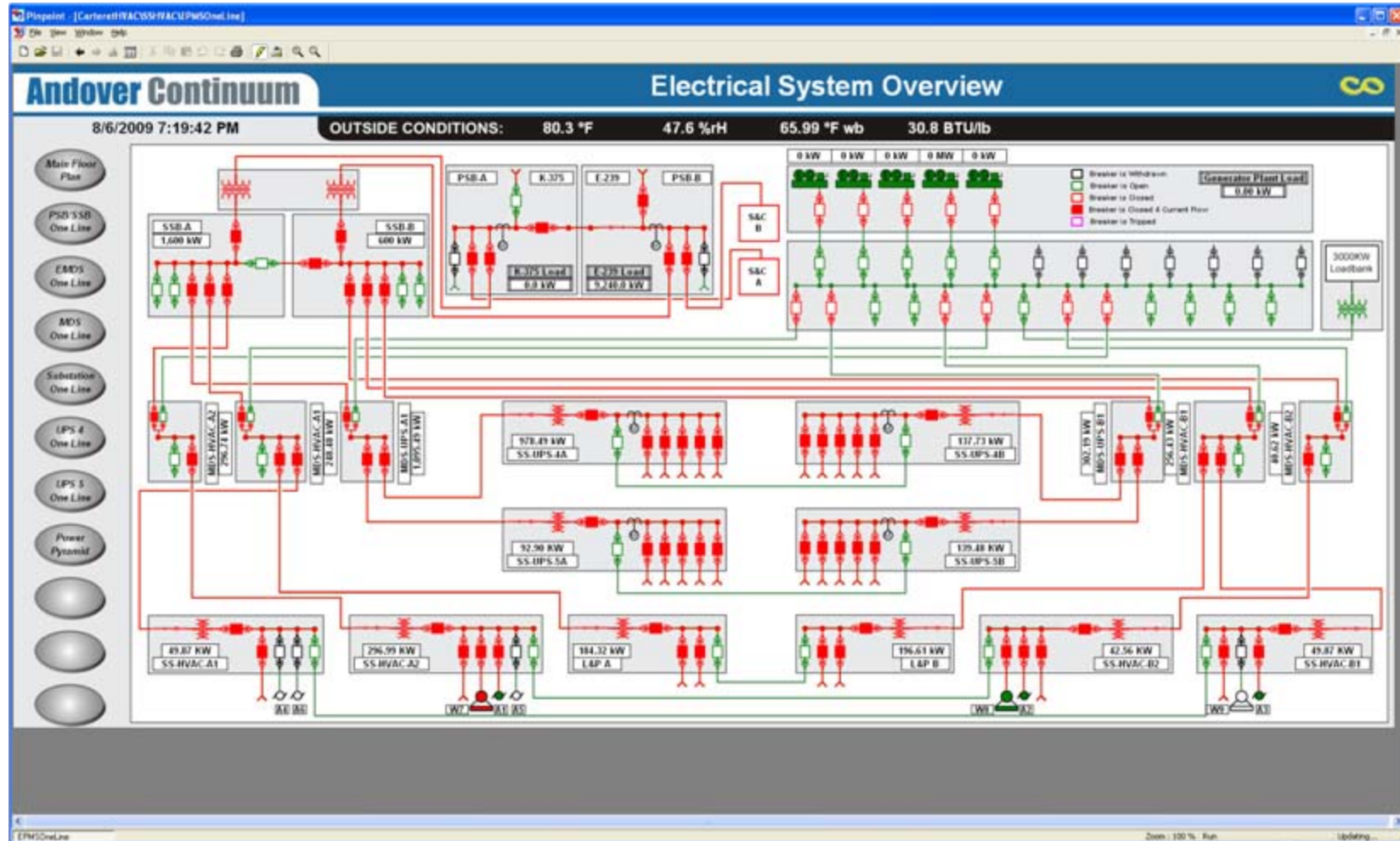
Products You Want



Solutions You Need



Quality You Deserve



Energy Options Value and Quality Delivered!



Data Center Management

by **FieldView**
SOLUTIONS

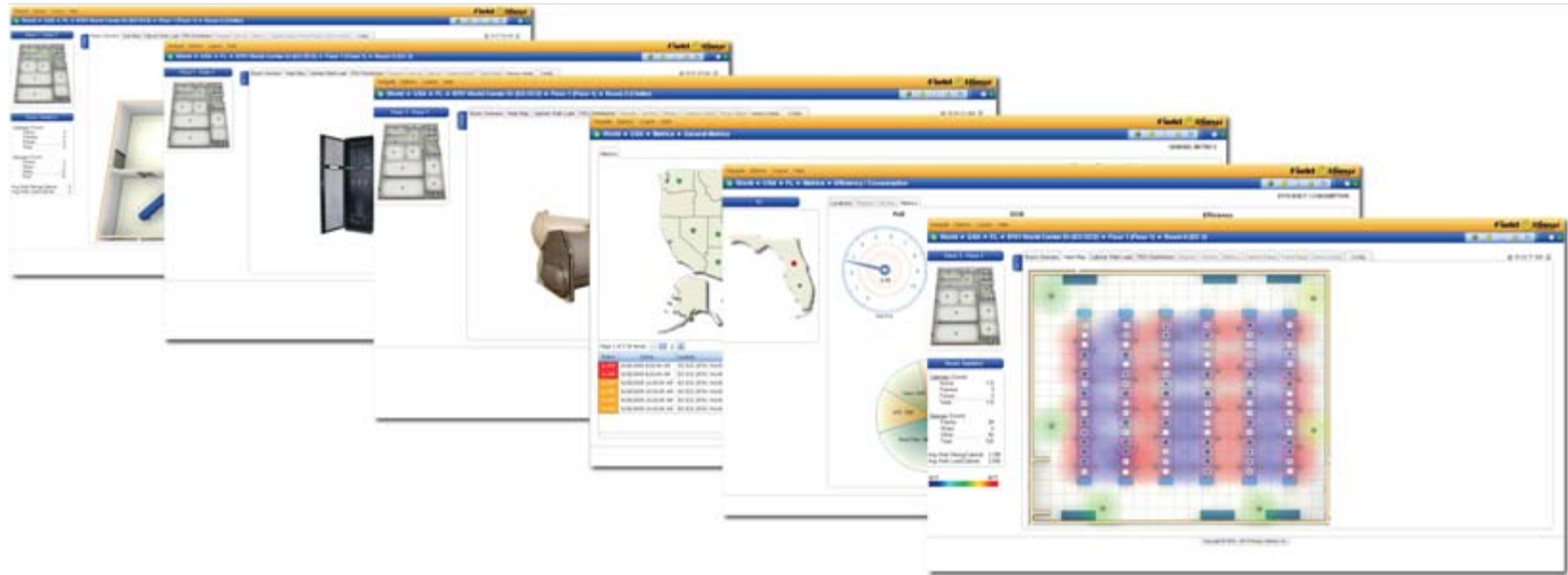
Products You Want



Solutions You Need



Quality You Deserve



Created by Energy Options, Field View Solutions delivers real time access to Data Center risk monitoring, infrastructure capacity, and efficiency metrics for a single facility or across a global portfolio to unlimited users throughout your corporate network

- ⌚ **Non-proprietary & Vendor Neutral**
- ⌚ **100% Browser Based & IT Friendly**
- ⌚ **Scalable Global Solution**
- ⌚ **Superior Integration Capabilities**
- ⌚ **Integrated Power Data from Utility to Servers**



Data Center Management

by **FieldView**
SOLUTIONS

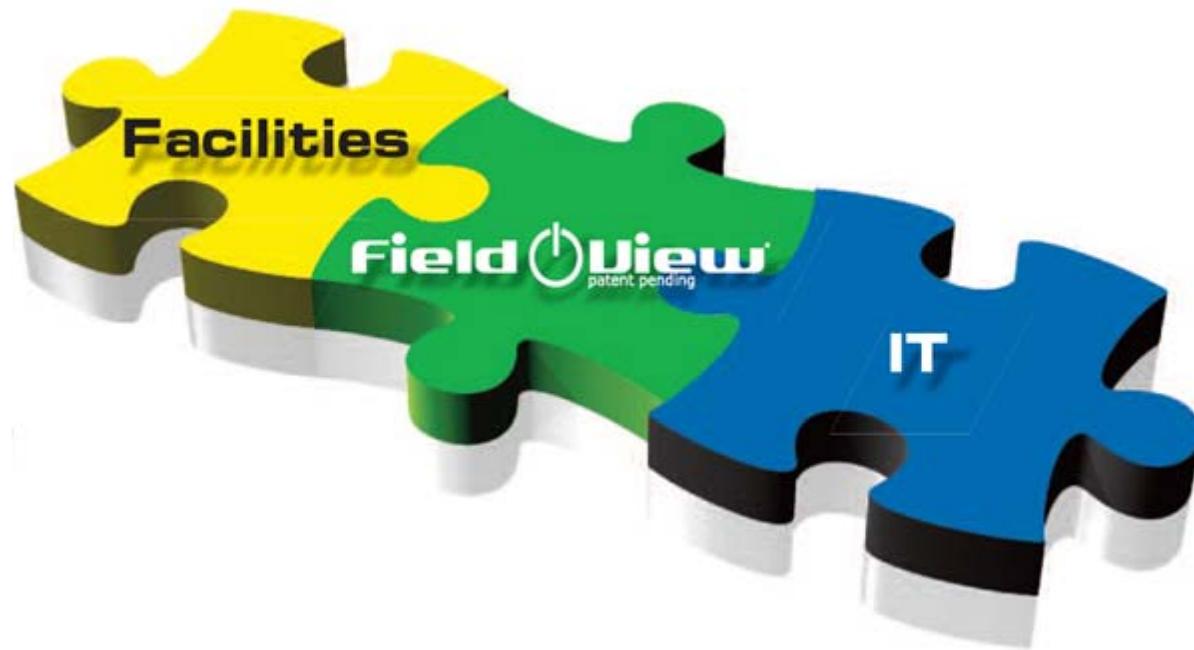
Products You Want



Solutions You Need



Quality You Deserve



Field View Solutions is a unique tool for Directors, IT Managers, Facility Managers and anyone responsible for the day to day operation, capacity planning and energy efficiency in today's more demanding data center environments.

Products You Want



Solutions You Need



Quality You Deserve



- Commitment to our mission statement
- Customer service is Priority #1
- Quality Engineering
- Pricing Consistency
- Product technology
- Professional team
- Reputation
- Extensive sales, engineering and project management experience





Resources

Products You Want



Solutions You Need



Quality You Deserve



- \$2M Merrill Lynch line of credit
- Bondable to \$5M
- Schneider Electric factory guarantee on labor and material
- Financial strength of electrical subcontractors



Energy Options Value and Quality Delivered!



Thank You For This Opportunity

Products You Want



Solutions You Need



Quality You Deserve



**Smart People
Smart Products**

*Let us put our
Experience to work for you!*

Energy Options, Inc.
256 Campus Drive
Edison, NJ 08837
Phone: 732-512-9100
www.energy-options.com



Energy Options Value and Quality Delivered!